




# SPECIFICATION SHEET

## GPS+LTE+WIFI Combination Antenna

MESSERS.	
DESCRIPTION	VEHICLE ANTENNA
PART No.	FES-50GB

ACCEPTANCE		
PREPARED	CHECKED	APPROVED
/	/	/

SUPPLIER		
PREPARED	CHECKED	APPROVED
		
09/05	09/05	09/05

◆ INDEX

— INDEX	----- 2
— REVISION HISTORY	----- 2
— ELECTRICAL SPECIFICATION	----- 3
— MECHANICAL & ENVIRONMENTAL SPECIFICATION	----- 3
— ANTENNA DIMENSION	----- 4

◆ REVISION HISTORY

NO	DATE	REVISION	NOTE	AUTHORS
1	2024.09.05	00	First Draft	LEE.

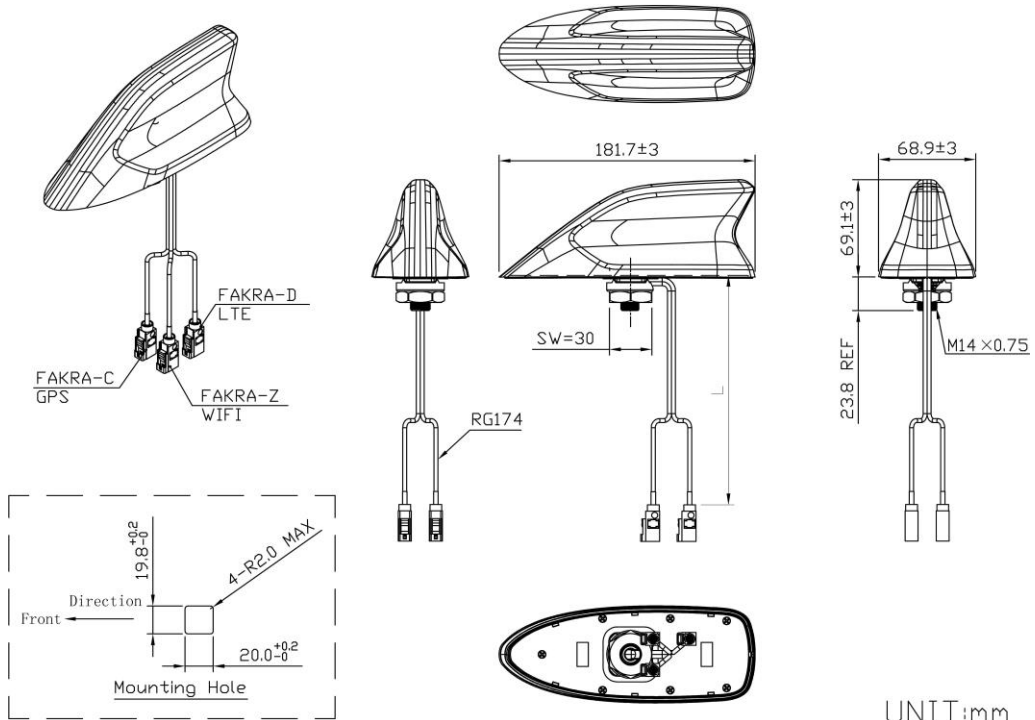
### ◆ ELECTRICAL SPECIFICATION

ITEM		SPECIFICATIONS
GPS Antenna	Frequency Range	1575.42±3MHz
	Polarization	RHCP
	Gain	2dBic (Zenith)
	Supply Voltage	3~5V DC
	Impedance	50Ω
LTE Antenna	Frequency Range	698~960/MHz/1710~2690MHz
	Polarization	Linear
	Gain	3.5dBi (Zenith)
	Impedance	50Ω
WIFI Antenna	Frequency Range	2400~2483.5MHz
	Polarization	Linear
	Gain	3.0dBi (Zenith)
	Impedance	50Ω

### ◆ MECHANICAL AND ENVIRONMENTAL SPECIFICATION

ITEM	SPECIFICATIONS
Cable	RG174
Connector	FAKRA or others
Mounting Method	Screw
Dimensions	181.7x69.1±3.0mm
Operating Temperature	-40°C~+85°C
Vibration	10 to 55Hz with 1.5mm amplitude 2hours
Environmentally Friendly	ROHS Compliant

◆ **ANTENNA DIMENSION**



➤ **Customizable Cable and Connector**

● **Antenna Image**

