




SPECIFICATION SHEET

WIFI ANTENNA

MESSERS.	
DESCRIPTION	WIFI ANTENNA
PART No.	FES-230FC

ACCEPTANCE		
PREPARED	CHECKED	APPROVED
/	/	/

SUPPLIER		
PREPARED	CHECKED	APPROVED
		
09/05	09/05	09/05

◆ INDEX

— INDEX	----- 2
— REVISION HISTORY	----- 2
— APPLICATIONS	----- 3
— ELECTRICAL SPECIFICATION	----- 3
— MECHANICAL & ENVIRONMENTAL SPECIFICATION	----- 3
— ANTENNA DIMENSION	----- 4
— RADIATION PATTERN	----- 5

◆ REVISION HISTORY

NO	DATE	REVISION	NOTE	AUTHORS
1	2024.09.05	00	First Draft	LEE.

◆ APPLICATIONS

- WIRELESS NETWORKING, INTERNET ACCESS, DATA TRANSMISSION
- INTERNET OF THINGS, SMART HOME AUTOMATION, WIRELESS SURVEILLANCE SYSTEMS
- WIRELESS COMMUNICATION INFRASTRUCTURE, WIRELESS AUDIO AND ENTERTAINMENT

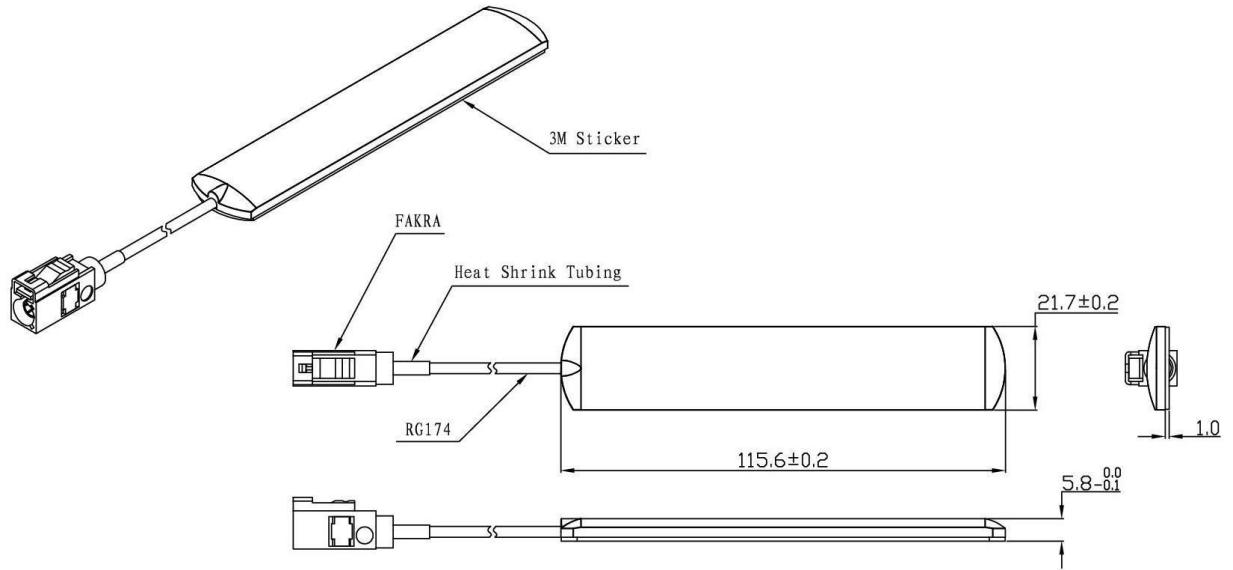
◆ ELECTRICAL SPECIFICATION

ITEM		SPECIFICATIONS
Antenna	Frequency Range	2400~2483.5MHz
	Polarization	Linear
	Gain	3.0dBi
	V.S.W.R	< 2.0
	Impedance	50Ω

◆ MECHANICAL AND ENVIRONMENTAL SPECIFICATION

ITEM	SPECIFICATIONS
Cable	RG174
Connector	FAKRA/SMA or others
Mounting Method	Adhesive
Dimensions	115.6x21.7x5.8±0.2mm
Operating Temperature	-40°C~+85°C
Vibration	10 to 55Hz with 1.5mm amplitude 2hours
Environmentally Friendly	ROHS Compliant

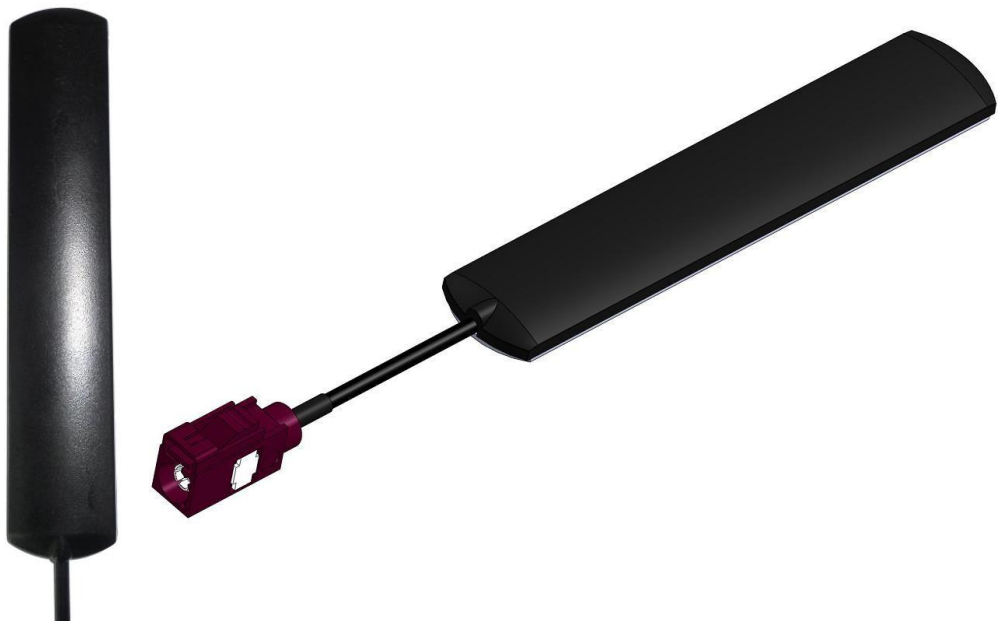
◆ ANTENNA DIMENSION



Unit: mm

➤ Customizable Cable and Connector

● Antenna Image



◆ RADIATION PATTERN

