




SPECIFICATION SHEET

GNSS+LTE MIMO+FM/AM Combination Antenna

MESSERS.	
DESCRIPTION	VEHICLE ANTENNA
PART No.	FES-130GB

ACCEPTANCE		
PREPARED	CHECKED	APPROVED
/	/	/

SUPPLIER		
PREPARED	CHECKED	APPROVED
		
09/05	09/05	09/05

◆ INDEX

— INDEX	----- 2
— REVISION HISTORY	----- 2
— ELECTRICAL SPECIFICATION	----- 3
— MECHANICAL & ENVIRONMENTAL SPECIFICATION	----- 3
— ANTENNA DIMENSION	----- 4

◆ REVISION HISTORY

NO	DATE	REVISION	NOTE	AUTHORS
1	2024.09.05	00	First Draft	LEE.

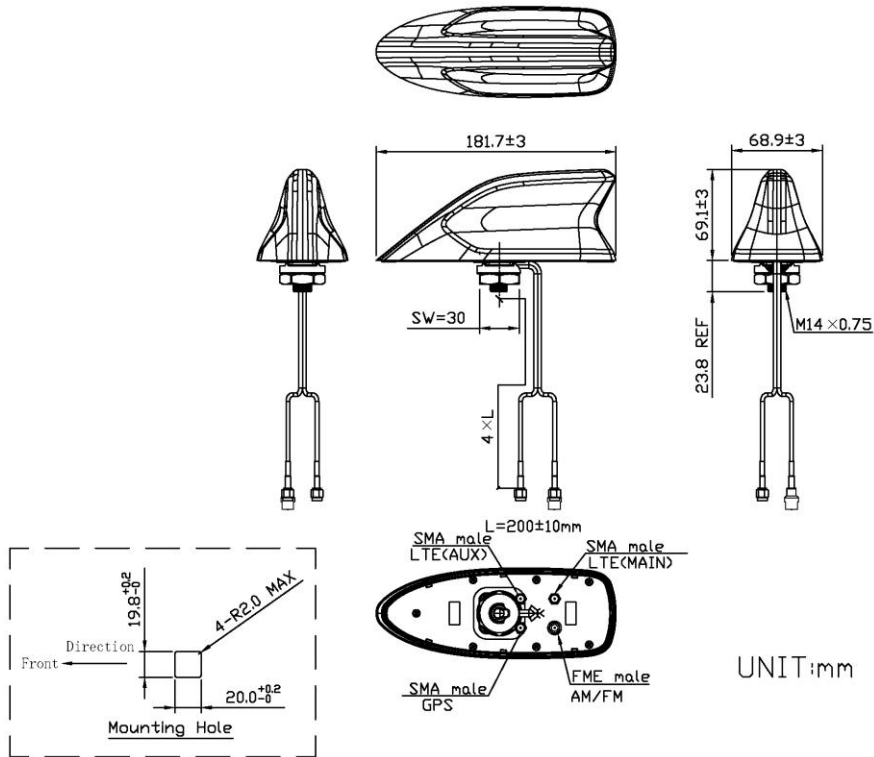
◆ ELECTRICAL SPECIFICATION

ITEM		SPECIFICATIONS
GNSS Antenna	Frequency Range	1561~1602MHz
	Polarization	RHCP
	Gain	2dBic (Zenith)
	Supply Voltage	3~5V DC
	Impedance	50Ω
LTE MAIN Antenna	Frequency Range	698~960/MHz/1710~2690MHz
	Polarization	Linear
	Gain	3.5dBi (Zenith)
	Impedance	50Ω
LTE AUX Antenna	Frequency Range	698~960/MHz/1710~2690MHz
	Polarization	Linear
	Gain	3.0dBi (Zenith)
	Impedance	50Ω
FM/AM Antenna	Frequency Range	520~1629KHz/76~108MHz
	Polarization	Linear
	Gain	FM:16±3dB ; AM:5±3dB
	Impedance	50Ω

◆ MECHANICAL AND ENVIRONMENTAL SPECIFICATION

ITEM	SPECIFICATIONS
Cable	RG174/3M
Connector	SMA Male+FME Male
Mounting Method	Screw
Dimensions	181.7x69.1±3.0mm
Operating Temperature	-40°C~+85°C
Vibration	10 to 1000Hz G=28.7m/s ²
Environmentally Friendly	ROHS Compliant

◆ ANTENNA DIMENSION



➤ Customizable Cable and Connector

● Antenna Image

